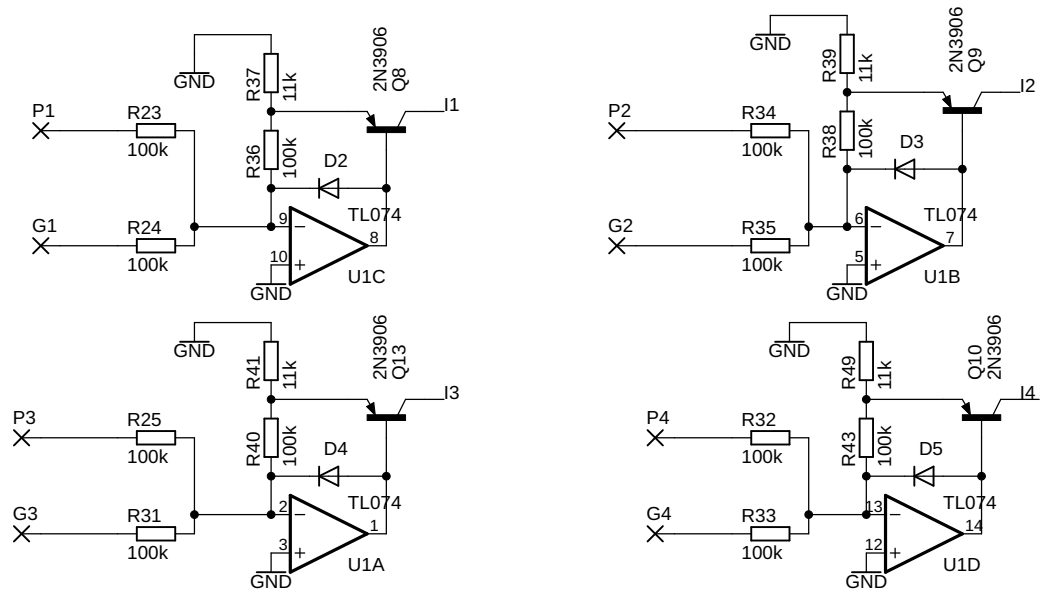


TITLE: hollasynthscannermain	
Document Number:	REV: 2.1 production version for panel PCB with 5V pots Renumbered some parts. Moved things around.
Date: 17/10/2019 10:57	Sheet: 1/4



New version: reduce resistors on P inputs to accommodate pots wired to 5V.

